

PLEASE CHECK WWW.MOLEX.COM FOR LATEST PART INFORMATION

Part Number: [0456610003](#)
Status: **Active**
Description: 2.54mm (.100") Pitch KK® Solid Header, Vertical, with Friction Lock, 3 Circuits, 5.00µm (200µ") Tin (Sn) Plating, Lead-free

Documents:

[3D Model](#)
[Drawing \(PDF\)](#)

[RoHS Certificate of Compliance \(PDF\)](#)

General

Product Family	PCB Headers
Series	45661
Application	Wire-to-Board
Product Name	KK®

Physical

Breakaway	No
Circuits (Loaded)	3
Circuits (maximum)	3
Circuits Detail	Circuit 2 with longer pins
Color - Resin	White
Durability (mating cycles max)	25
First Mate / Last Break	Yes
Glow-Wire Compliant	No
Lock to Mating Part	Yes
Material - Plating Mating	Tin
Material - Plating Termination	Nickel
Material - Resin	Nylon
Number of Rows	1
Orientation	Vertical
PCB Locator	No
PCB Retention	None
Packaging Type	Bag
Pitch - Mating Interface (in)	0.100 In
Pitch - Mating Interface (mm)	2.54 mm
Pitch - Term. Interface (in)	0.100 In
Pitch - Term. Interface (mm)	2.54 mm
Plating min: Mating (µin)	200
Plating min: Mating (µm)	5
Plating min: Termination (µin)	49
Plating min: Termination (µm)	1.25
Polarized to Mating Part	Yes
Polarized to PCB	Yes
Shrouded	Partial
Stackable	Yes
Temperature Range - Operating	0°C to +75°C
Termination Interface: Style	Through Hole

Electrical

Current - Maximum per Contact	4A
Voltage - Maximum	250V

Solder Process Data

Duration at Max. Process Temperature (seconds)	5
Lead-free Process Capability	Wave Capable (TH only)
Max. Cycles at Max. Process Temperature	1

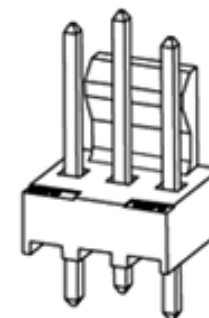


image - Reference only

Series

EU RoHS

ELV and RoHS Compliant
REACH SVHC
 Not Reviewed
Halogen-Free
Status

China RoHS



Not Reviewed
Need more information on product environmental compliance?

Email productcompliance@molex.com
 For a multiple part number RoHS Certificate of Compliance, [click here](#)

Please visit the [Contact Us](#) section for any non-product compliance questions.

Search Parts in this Series

[45661Series](#)

Process Temperature max. C

235

Material Info

Reference - Drawing Numbers

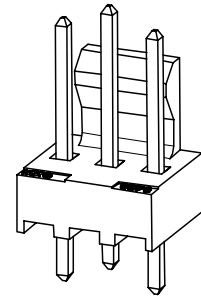
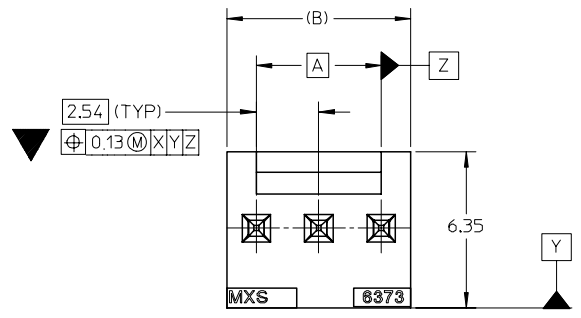
Sales Drawing

SD-45661-003

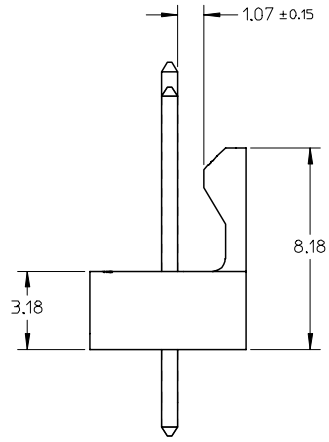
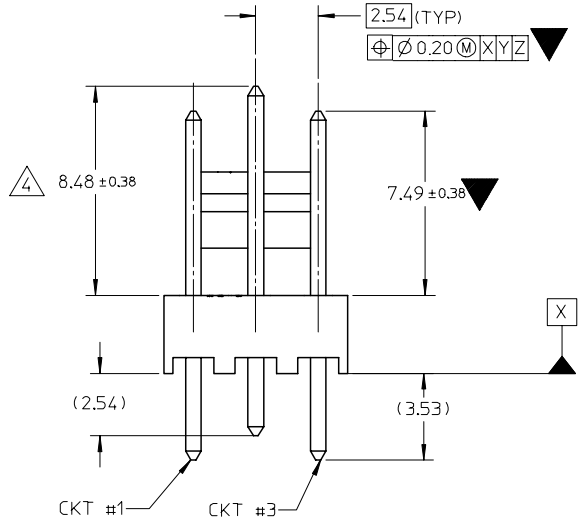
This document was generated on 03/25/2010

PLEASE CHECK WWW.MOLEX.COM FOR LATEST PART INFORMATION

ASSEMBLY	CKT	CKT # WITH LONGER PINS \triangle	QUANTITY PER BAG	DIM. A	DIM. B
45661-0003	3	2	500	5.08	7.47
45661-0006	6	1, 6	300	12.70	15.09



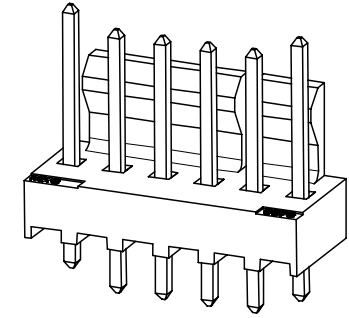
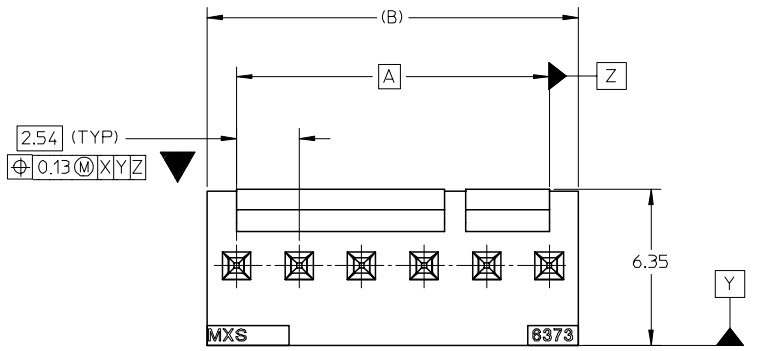
3CKT ASSEMBLY



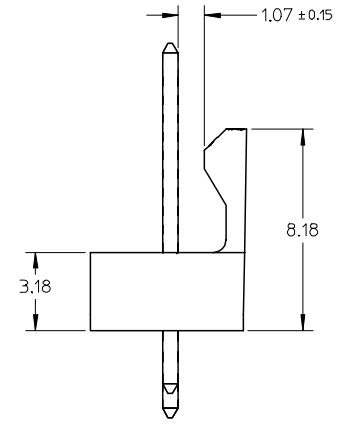
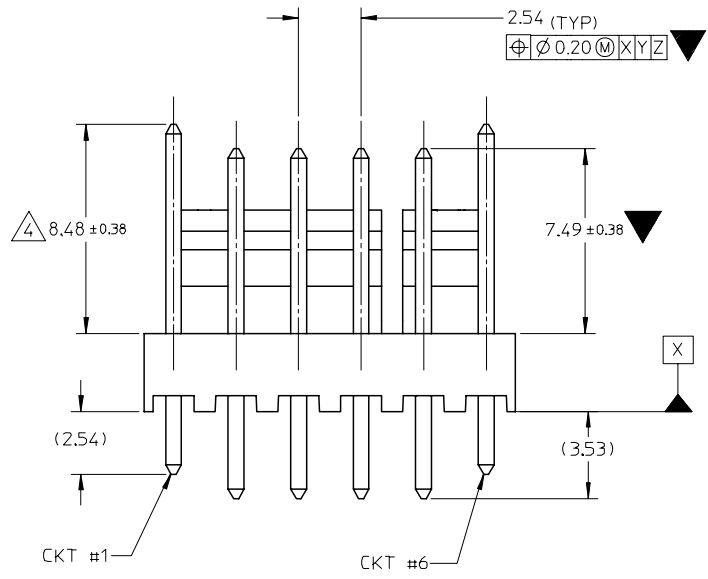
- NOTES:
- MATERIAL: NYLON, UL 94V-0, COLOR: WHITE
 - FINISH: 5.00μm MIN. TIN OVER 1.25μm MIN. NICKEL UNDERPLATE OVERALL.
 - PRODUCT SPECIFICATION: PS-10-07
 - \triangle REFER TO TABLE FOR FIRST MATE LAST BREAK PIN'S POSITION.

EC NO: S2006-0696 DRWNS:KLI IM01 2005/12/30 CHKD:BOKOK 2006/01/03 APPR:PATEY 2006/01/03	DESCRIPTION REV	QUALITY SYMBOLS $\nabla=3$ $\nabla=0$	GENERAL TOLERANCES (UNLESS SPECIFIED)		DIMENSION STYLE MM ONLY		SCALE NTS	DESIGN UNITS METRIC	\triangle THIRD ANGLE PROJECTION	
		mm INCH	DRAWN BY XSAMIEC	DATE 2003/10/06	KK 100 HEADER FRK WITH MULTIPLY MATING					
DRAFT WHERE APPLICABLE MUST REMAIN WITHIN DIMENSIONS			4 PLACES ± --- ± ---	CHECKED BY MARGULIS	DATE 2003/10/06	MOLEX INCORPORATED				
			3 PLACES ± --- ± ---	APPROVED BY MARGULIS	DATE 2003/10/06					
A2			2 PLACES ± 0.25 ± ---	MATERIAL NO. SEE TABLE		DOCUMENT NO. SD-45661-003	SHEET NO. 1 OF 2			
			1 PLACE ± 0.38 ± ---	SIZE A3		THIS DRAWING CONTAINS INFORMATION THAT IS PROPRIETARY TO MOLEX INCORPORATED AND SHOULD NOT BE USED WITHOUT WRITTEN PERMISSION				
ANGULAR ± 3 °			DIMENSION STYLE MM ONLY		SCALE NTS		DESIGN UNITS METRIC		\triangle THIRD ANGLE PROJECTION	
			DRAFT WHERE APPLICABLE MUST REMAIN WITHIN DIMENSIONS		MATERIAL NO. SEE TABLE		DOCUMENT NO. SD-45661-003	SHEET NO. 1 OF 2		

10 9 8 7 6 5 4 3 2 1



6CKT ASSEMBLY



EC NO: S2006-0696	2005/12/30	2006/01/03	2006/01/03
DRWNS:SKLIM01			
CHKD:BOBOK			
APPR:PATEY			
REV	DESCRIPTION		
A2			

QUALITY SYMBOLS	▽=3
	∇=0

GENERAL TOLERANCES (UNLESS SPECIFIED)	
	MM ONLY
	INCH
4 PLACES	± ---
3 PLACES	± ---
2 PLACES	± 0.25
1 PLACE	± 0.38
ANGULAR ± 3 °	
DRAFT WHERE APPLICABLE MUST REMAIN WITHIN DIMENSIONS	

DIMENSION STYLE	
MM ONLY	
DRAWN BY	DATE
KSAMIEC	2003/10/06
CHECKED BY	DATE
MARGULIS	2003/10/06
APPROVED BY	DATE
MARGULIS	2003/10/06
MATERIAL NO.	
SEE TABLE	

SCALE	DESIGN UNITS	THIRD ANGLE PROJECTION
NTS	METRIC	
KK 100 HEADER FRLK WITH MULTIPLY MATING		
MOLEX INCORPORATED		
DOCUMENT NO.	SHEET NO.	
SD-45661-003	2 OF 2	
THIS DRAWING CONTAINS INFORMATION THAT IS PROPRIETARY TO MOLEX INCORPORATED AND SHOULD NOT BE USED WITHOUT WRITTEN PERMISSION		

9 8 7 6 5 4 3 2 1